

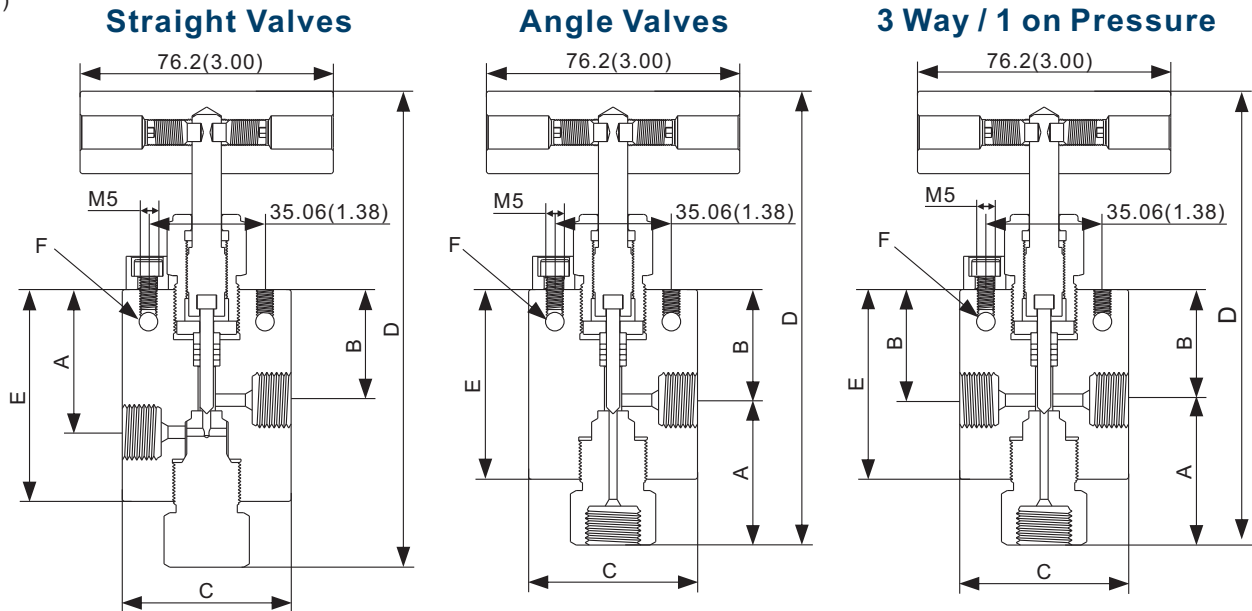
Features

- ★ 316 cold-work stainless steel body for excellent corrosion resistant and high tensile. Other special materials available.
- ★ 3 patterns body types. (Straight, Angle, 3 way/1 on pressure type)
- ★ Prevents galling due to the no-rotation stem.
- ★ Packing blow stem threads designed for reliable sealing.
- ★ Integral though-holes for bracket mounting. Panel mounting is also available.
- ★ Vee or Regulating stem for flow control and shut-off.
- ★ Replaceable seat valves available. Valves with replaceable seat can be quickly repaired without removing from the system. It is easy to repaired and low maintenance costs.
- ★ 4 pressure levels available. 15000 psig (low pressure), 20000 psig (medium pressure), 30000 psig (high pressure) and 60000 psig (high pressure).
- ★ Working temperature ranges from -100°F to 450°F (-73°C to 232°C) for standard valves with glass filled PTFE packing. And other packing materials available, such as grafoil.
- ★ Gland locking device prevent loosening of the packing gland.



NR Series With Replaceable Seat

mm(in.)



Technical Parameters				Ordering Code		
Work Pressure	Size	Ports	Orifice mm(in.)	Straight	Angel	3 Way/1on press.
Medium Pressure 20000 psig	1/4"	MF 4	3.18(0.13)	NR20MF4A	NR20MF4B	NR20MF4C
	3/8"	MF 6	5.56(0.22)	NR20MF6A	NR20MF6B	NR20MF6C
	9/16"	MF 9	7.94(0.31)	NR20MF9A	NR20MF9B	NR20MF9C
	3/4"	MF 12	11.13(0.44)	NR20MF12A	NR20MF12B	NR20MF12C
	1"	MF 16	14.27(0.56)	NR20MF16A	NR20MF16B	NR20MF16C
High Pressure 30000 psig	1/4"	HF 4	2.39(0.09)	NR30HF4A	NR30HF4B	NR30HF4C
	3/8"	HF 6	3.18(0.13)	NR30HF6A	NR30HF6B	NR30HF6C
	9/16"	HF 9	3.18(0.13)	NR30HF9A	NR30HF9B	NR30HF9C
High Pressure 60000 psig	1/4"	HF 4	1.57(0.06)	NR60HF4A	NR60HF4B	NR60HF4C
	3/8"	HF 6	1.57(0.06)	NR60HF6A	NR60HF6B	NR60HF6C
	9/16"	HF 9	1.98(0.08)	NR60HF9A	NR60HF9B	NR60HF9C

Dimension Straight Valves

mm(in.)

Ordering Code	A	B	C	D	E	F	Thickness
NR20MF4A	41.15(1.62)	30.23(1.19)	50.80(2.00)	144.25(5.68)	70.40(2.77)	5.59 (0.22)	25.40(1.00)
NR20MF6A	41.15(1.62)	30.23(1.19)	50.80(2.00)	144.25(5.68)	70.50(2.78)	5.59 (0.22)	25.40(1.00)
NR20MF9A	60.45(2.38)	44.45(1.75)	63.50(2.50)	165.7(6.52)	92.2(3.63)	8.64 (0.34)	25.40(1.00)
NR20MF12A	76.20(3.00)	57.15(2.25)	76.20(3.00)	187.8(7.39)	114.3(4.50)	11.18 (0.44)	34.93(1.38)
NR20MF16A	95.25(3.75)	71.37(2.81)	104.65(4.12)	211.6(8.33)	138.1(5.44)	14.22 (0.56)	44.45(1.75)
NR30HF4A	38.10(1.50)	28.45(1.12)	50.80(2.00)	141.28(5.56)	67.80(2.67)	5.59 (0.22)	25.40(1.00)
NR30HF6A	38.10(1.50)	28.45(1.12)	50.80(2.00)	141.28(5.56)	67.80(2.67)	5.59 (0.22)	25.40 (1.00)
NR30HF9A	39.62(1.56)	28.45(1.12)	66.55(2.62)	144.25(5.68)	70.80(2.79)	7.11 (0.28)	38.10(1.50)
NR60HF4A	42.93(1.69)	33.27(1.31)	50.80(2.00)	144.25(5.68)	70.40(2.77)	5.59 (0.22)	25.40(1.00)
NR60HF6A	42.93(1.69)	33.27(1.31)	50.80(2.00)	144.25(5.68)	71.20(2.80)	5.59 (0.22)	25.40(1.00)
NR60HF9A	45.45(1.75)	33.27(1.31)	66.55(2.62)	144.25(5.68)	70.20(2.76)	7.11 (0.28)	38.10(1.50)

Angle Valves

mm(in.)

Ordering Code	A	B	C	D	E	F	Thickness
NR20MF4B	53.98(2.13)	30.23(1.19)	50.80(2.00)	143.88(5.66)	57.15(2.25)	5.59 (0.22)	25.40(1.00)
NR20MF6B	53.98(2.13)	30.23(1.19)	50.80(2.00)	143.88(5.66)	57.15(2.25)	5.59 (0.22)	25.40(1.00)
NR20MF9B	63.50(2.50)	44.45(1.75)	63.50(2.50)	167.62(6.60)	79.38(3.13)	8.64 (0.34)	25.40(1.00)
NR20MF12B	87.38(3.44)	57.15(2.25)	76.20(3.00)	204.20(8.04)	107.95(4.25)	11.18 (0.44)	34.93(1.38)
NR20MF16B	111.10(4.38)	71.37(2.81)	104.65(4.12)	239.10(9.41)	133.35(5.25)	14.22 (0.56)	44.45(1.75)
NR30HF4B	52.32(2.06)	28.45(1.12)	50.80(2.00)	140.47(5.53)	60.45(2.38)	5.59 (0.22)	25.40(1.00)
NR30HF6B	58.67(2.31)	28.45(1.12)	50.80(2.00)	146.79(5.78)	60.45(2.38)	5.59 (0.22)	25.40(1.00)
NR30HF9B	66.55(2.62)	30.23(1.19)	66.55(2.62)	156.45(6.16)	61.98(2.44)	7.11 (0.28)	38.10(1.50)
NR60HF4B	53.85(2.12)	33.27(1.31)	50.80(2.00)	146.79(5.78)	66.55(2.62)	5.59 (0.22)	25.40(1.00)
NR60HF6B	59.94(2.36)	33.27(1.31)	50.80(2.00)	152.88(6.02)	66.55(2.62)	5.59 (0.22)	25.40(1.00)
NR60HF9B	68.07(2.68)	33.27(1.31)	66.55(2.62)	161.01(6.34)	66.55(2.62)	7.11 (0.28)	38.10(1.50)

3 Way / 1 on Pressure

mm(in.)

Ordering Code	A	B	C	D	E	F	Thickness
NR20MF4C	53.98(2.13)	30.23(1.19)	50.80(2.00)	143.88(5.66)	57.15(2.25)	5.59 (0.22)	25.40(1.00)
NR20MF6C	53.98(2.13)	30.23(1.19)	50.80(2.00)	143.88(5.66)	57.15(2.25)	5.59 (0.22)	25.40(1.00)
NR20MF9C	63.50(2.5)	44.45(1.75)	63.50(2.50)	167.62(6.60)	79.38(3.13)	8.64 (0.34)	25.40(1.00)
NR20MF12C	87.38(3.44)	57.15(2.25)	76.20(3.00)	204.20(8.04)	107.95(4.25)	11.18 (0.44)	34.93(1.38)
NR20MF16C	111.10(4.38)	71.37(2.81)	104.65(4.12)	239.10(9.41)	133.35(5.25)	14.22 (0.56)	44.45(1.75)
NR30HF4C	52.32(2.06)	28.45(1.12)	50.80(2.00)	140.47(5.53)	60.45(2.38)	5.59 (0.22)	25.40(1.00)
NR30HF6C	58.67(2.31)	28.45(1.12)	50.80(2.00)	146.79(5.78)	60.45(2.38)	5.59 (0.22)	25.40(1.00)
NR30HF9C	66.55(2.62)	28.45(1.12)	66.55(2.62)	156.45(6.16)	61.98(2.44)	7.11 (0.28)	38.10(1.50)
NR60HF4C	53.85(2.12)	33.27(1.31)	50.80(2.00)	146.79(5.78)	66.55(2.62)	5.59 (0.22)	25.40(1.00)
NR60HF6C	59.94(2.36)	33.27(1.31)	50.80(2.00)	152.88(6.02)	66.55(2.62)	5.59 (0.22)	25.40(1.00)
NR60HF9C	68.07(2.68)	33.27(1.31)	66.55(2.62)	161.01(6.34)	66.55(2.62)	7.11 (0.28)	38.10(1.50)

1. MF means female medium pressure connection . HF means female high pressure connection.

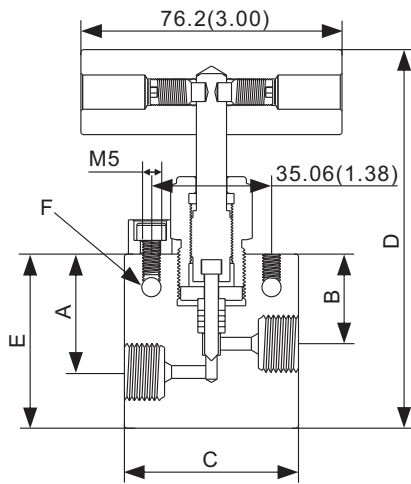
2. Ordering codes listed are for valves with vee stem tip. Valves with Regulating stem tip, add "-R" after the ordering codes.

3. Ordering codes listed are standard. Other sizes, materials and types are available upon request. For special requirements, please contact us.

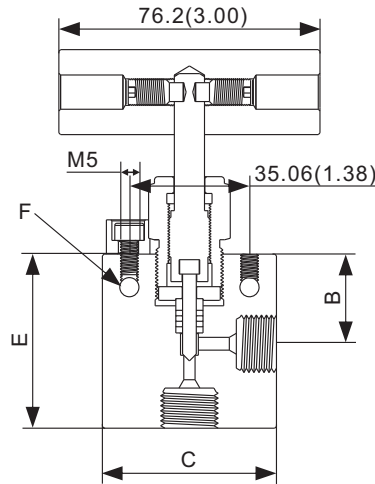
NV Series Without Replaceable Seat

mm(in.)

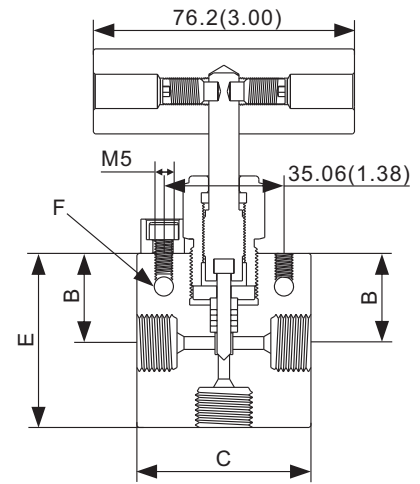
Straight Valves



Angle Valves



3 Way / 1 on Pressure



Technical Parameters				Ordering Code		
Work Pressure	Size	Ports	Orifice mm(in.)	Straight	Angel	3 Way/1on press.
Low Pressure 15000 psig	1/4"	FN 4	3.18(0.13)	NV15FN4A	NV15FN4B	NV15FN4C
	3/8"	FN 6	5.56(0.22)	NV15FN6A	NV15FN6B	NV15FN6C
	1/2"	FN 8	7.94(0.31)	NV15FN8A	NV15FN8B	NV15FN8C
Medium Pressure 20000 psig	1/4"	MF 4	3.18(0.13)	NV20MF4A	NV20MF4B	NV20MF4C
	3/8"	MF 6	5.56(0.22)	NV20MF6A	NV20MF6B	NV20MF6C
	9/16"	MF 9	7.94(0.31)	NV20MF9A	NV20MF9B	NV20MF9C
	3/4"	MF 12	11.13(0.44)	NV20MF12A	NV20MF12B	NV20MF12C
	1"	MF 16	14.27(0.56)	NV20MF16A	NV20MF16B	NV20MF16C
High Pressure 30000 psig	1/4"	HF 4	2.39(0.09)	NV30HF4A	NV30HF4B	NV30HF4C
	3/8"	HF 6	3.18(0.13)	NV30HF6A	NV30HF6B	NV30HF6C
	9/16"	HF 9	3.18(0.13)	NV30HF9A	NV30HF9B	NV30HF9C
High Pressure 60000 psig	1/4"	HF 4	1.57(0.06)	NV60HF4A	NV60HF4B	NV60HF4C
	3/8"	HF 6	1.57(0.06)	NV60HF6A	NV60HF6B	NV60HF6C
	9/16"	HF 9	1.98(0.08)	NV60HF9A	NV60HF9B	NV60HF9C

Dimension

Straight Valves

mm(in.)

Ordering Code	A	B	C	D	E	F	Thickness
NV15FN4A	41.15(1.62)	30.23(1.19)	50.80(2.00)	110.47(4.35)	50.80(2.00)	5.59(0.22)	25.40(1.00)
NV15FN6A	41.15(1.62)	30.23(1.19)	50.80(2.00)	110.47(4.35)	50.80(2.00)	5.59(0.22)	25.40(1.00)
NV15FN8A	60.45(2.38)	44.45(1.75)	76.20(3.00)	135.87(5.35)	76.20(3.00)	8.64(0.34)	38.10(1.50)
NV20MF4A	41.15(1.62)	30.23(1.19)	50.80(2.00)	110.47(4.35)	50.80(2.00)	5.59(0.22)	25.40(1.00)
NV20MF6A	41.15(1.62)	30.23(1.19)	50.80(2.00)	110.47(4.35)	50.80(2.00)	5.59(0.22)	25.40(1.00)
NV20MF9A	60.45(2.38)	44.45(1.75)	63.50(2.50)	132.82(5.23)	73.15(2.88)	8.64(0.34)	25.40(1.00)
NV20MF12A	76.20(3.00)	57.15(2.25)	76.20(3.00)	154.92(6.10)	95.25(3.75)	11.18(0.44)	34.93(1.38)
NV20MF16A	95.25(3.75)	71.37(2.81)	104.65(4.12)	177.27(6.98)	117.6(4.63)	14.22(0.56)	44.45(1.75)
NV30HF4A	38.10(1.50)	28.45(1.12)	50.80(2.00)	110.47(4.35)	50.80(2.00)	5.59(0.22)	25.40(1.00)
NV30HF6A	38.10(1.50)	28.45(1.12)	50.80(2.00)	110.47(4.35)	50.80(2.00)	5.59(0.22)	25.40(1.00)
NV30HF9A	39.62(1.56)	28.45(1.12)	66.55(2.62)	121.65(4.79)	61.98(2.44)	7.11(0.28)	38.10(1.50)
NV60HF4A	42.93(1.69)	33.27(1.31)	50.80(2.00)	113.52(4.47)	53.85(2.12)	5.59(0.22)	25.40(1.00)
NV60HF6A	42.93(1.69)	33.27(1.31)	50.80(2.00)	116.82(4.60)	57.15(2.25)	5.59(0.22)	25.40(1.00)
NV60HF9A	45.45(1.75)	33.27(1.31)	66.55(2.62)	123.17(4.85)	63.50(2.50)	7.11(0.28)	38.10(1.50)

Angle Valves

Ordering Code	B	C	D	E	F	Thickness
NV15FN4B	30.23(1.19)	50.80(2.00)	121.65(4.79)	61.98(2.44)	5.59(0.22)	25.40(1.00)
NV15FN6B	30.48(1.20)	50.80(2.00)	124.69(4.91)	65.02(2.56)	5.59(0.22)	25.40(1.00)
NV15FN8B	42.88(1.69)	76.20(3.00)	148.57(5.85)	88.90(3.50)	8.64(0.34)	25.40(1.00)
NV20MF4B	30.23(1.19)	50.80(2.00)	121.57(4.79)	61.90(2.44)	5.59(0.22)	25.40(1.00)
NV20MF6B	30.23(1.19)	50.80(2.00)	121.57(4.79)	61.90(2.44)	5.59(0.22)	25.40(1.00)
NV20MF9B	44.45(1.75)	63.50(2.50)	145.52(5.73)	85.85(3.38)	8.64(0.34)	25.40(1.00)
NV20MF12B	57.15(2.25)	76.20(3.00)	167.62(6.60)	107.95(4.25)	11.18(0.44)	34.93(1.38)
NV20MF16B	71.37(2.81)	104.65(4.12)	189.72(7.47)	130.05(5.12)	14.22(0.56)	44.45(1.75)
NV30HF4B	28.45(1.12)	50.80(2.00)	110.47(4.35)	50.80(2.00)	5.59(0.22)	25.40(1.00)
NV30HF6B	28.45(1.12)	50.80(2.00)	113.52(4.47)	53.85(2.12)	5.59(0.22)	25.40(1.00)
NV30HF9B	28.45(1.12)	66.55(2.62)	121.65(4.79)	61.98(2.44)	7.11(0.28)	38.10(1.50)
NV60HF4B	33.27(1.31)	50.80(2.00)	120.12(4.73)	60.45(2.38)	5.59(0.22)	25.40(1.00)
NV60HF6B	33.27(1.31)	50.80(2.00)	126.22(4.97)	66.55(2.62)	5.59(0.22)	25.40(1.00)
NV60HF9B	33.27(1.31)	66.55(2.62)	131.04(5.16)	71.37(2.81)	7.11(0.28)	38.10(1.50)

3 Way / 1 on Pressure

Ordering Code	B	C	D	E	F	Thickness
NV20MF4C	30.23(1.19)	50.8(2.00)	121.57(4.79)	61.90(2.44)	5.59(0.22)	25.40(1.00)
NV20MF6C	30.23(1.19)	50.80(2.00)	121.57(4.79)	61.90(2.44)	5.59(0.22)	25.40(1.00)
NV20MF9C	44.45(1.75)	63.50(2.50)	145.52(5.73)	85.85(3.38)	8.64(0.34)	25.40(1.00)
NV20MF12C	57.15(2.25)	76.20(3.00)	167.62(6.60)	107.95(4.25)	11.18(0.44)	34.93(1.38)
NV20MF16C	71.37(2.81)	104.65(4.12)	189.72(7.47)	130.05(5.12)	14.22(0.56)	44.45(1.75)
NV30HF4C	28.45(1.12)	50.80(2.00)	110.47(4.35)	50.80(2.00)	5.59(0.22)	25.40(1.00)
NV30HF6C	28.45(1.12)	50.80(2.00)	113.52(4.47)	53.85(2.12)	5.59(0.22)	25.40(1.00)
NV30HF9C	28.45(1.12)	66.55 (2.62)	121.65(4.79)	61.98(2.44)	7.11(0.28)	38.10(1.50)
NV60HF4C	33.27(1.31)	50.80(2.00)	120.12(4.73)	60.45(2.38)	5.59(0.22)	25.40(1.00)
NV60HF6C	33.27(1.31)	50.80(2.00)	126.22(4.97)	66.55(2.62)	5.59(0.22)	25.40(1.00)
NV60HF9C	33.27(1.31)	66.55(2.62)	131.04(5.16)	71.37(2.81)	7.11(0.28)	38.10(1.50)

1. MF means female medium pressure connection . HF means female high pressure connection.
2. Ordering codes listed are for valves with vee stem tip. Valves with Regulating stem tip, add "-R" after the ordering codes.
3. Ordering codes listed are standard. Other sizes, materials and types are available upon request. For special requirements, please contact us.