

Features

- ★ The medium contact material is made of 316 stainless steel or other alloys suitable for high-pressure Hydrogen
- ★ Sealed with polymer plastic suitable for Hydrogen
- ★ Max. Working pressure is 1380 bar(20000 psig)
- ★ Connection port size ranges from 1/4" to 1"
- ★ Aluminum alloy actuator reduces overall weight
- ★ With mounting bracket
- ★ Single-piston drive and double-piston drive actuators are optional
- ★ Driven by compressed air, normally open and normally closed types are optional



Performance & Specification

Single Drive Pneumatic Operate Valve

Technical Parameters			Ordering Code			
			Air to Open		Air to Close	
Work Press.	Size	Ports	Straight	Angle	Straight	Angle
15000 psig	1/4"	FN 4	NV15FN4A-H2-1NC	NV15FN4B-H2-1NC	NV15FN4A-H2-1NO	NV15FN4B-H2-1NO
	3/8"	FN 6	NV15FN6A-H2-1NC	NV15FN6B-H2-1NC	NV15FN6A-H2-1NO	NV15FN6B-H2-1NO
	1/2"	FN 8	NV15FN8A-H2-1NC	NV15FN8B-H2-1NC	NV15FN8A-H2-1NO	NV15FN8B-H2-1NO
20000 psig	1/4"	MF 4	NV20MF4A-H2-1NC	NV20MF4B-H2-1NC	NV20MF4A-H2-1NO	NV20MF4B-H2-1NO
	3/8"	MF 6	NV20MF6A-H2-1NC	NV20MF6B-H2-1NC	NV20MF6A-H2-1NO	NV20MF6B-H2-1NO

Double Drive Pneumatic Operate Valve

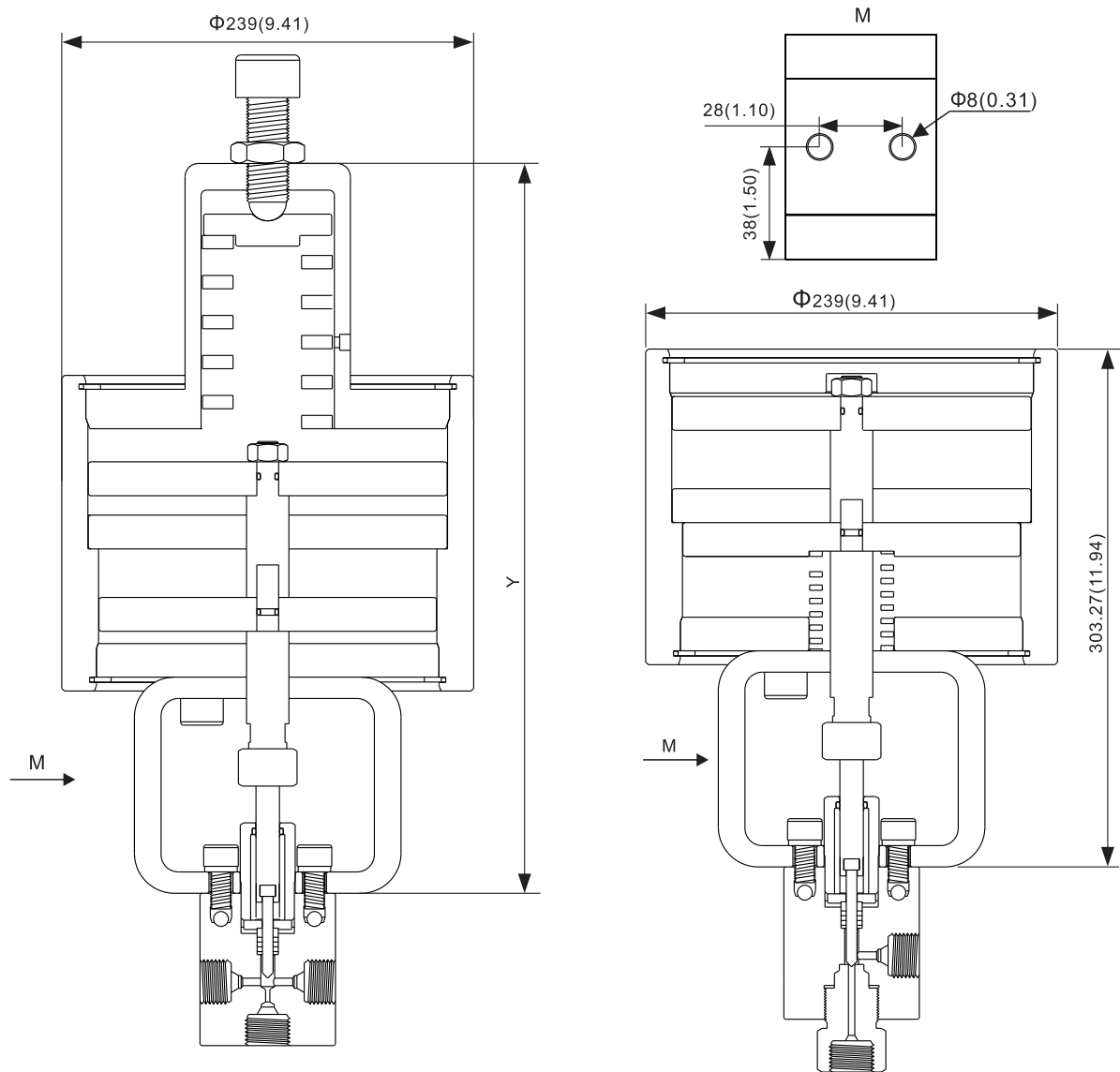
Technical Parameters			Ordering Code			
			Air to Open		Air to Close	
Work Press.	Size	Ports	Straight	Angle	Straight	Angle
15000 psig	1/4"	FN 4	NV15FN4A-H2-2NC	NV15FN4B-H2-2NC	NV15FN4A-H2-2NO	NV15FN4B-H2-2NO
	3/8"	FN 6	NV15FN6A-H2-2NC	NV15FN6B-H2-2NC	NV15FN6A-H2-2NO	NV15FN6B-H2-2NO
	1/2"	FN 8	NV15FN8A-H2-2NC	NV15FN8B-H2-2NC	NV15FN8A-H2-2NO	NV15FN8B-H2-2NO
20000 psig	1/4"	MF 4	NV20MF4A-H2-2NC	NV20MF4B-H2-2NC	NV20MF4A-H2-2NO	NV20MF4B-H2-2NO
	3/8"	MF 6	NV20MF6A-H2-2NC	NV20MF6B-H2-2NC	NV20MF6A-H2-2NO	NV20MF6B-H2-2NO
	9/16"	MF 9	NV20MF9A-H2-2NC	NV20MF9B-H2-2NC	NV20MF9A-H2-2NO	NV20MF9B-H2-2NO
	3/4"	HF 4	NV20HF12A-H2-2NC	NV20HF12B-H2-2NC	NV20HF12A-H2-2NO	NV20HF12B-H2-2NO
	1"	HF 6	NV20HF16A-H2-2NC	NV20HF16B-H2-2NC	NV20HF16A-H2-2NO	NV20HF16B-H2-2NO

1. FN means female NPT connection, MF means 20000 psi female medium pressure connection, more connection size please go to HYDR-STAR website: www.hydrstar.com

2. For valve with indicator add -A after the model code, for example, -2NOA, -1NCA.

3. Ordering code listed are standard, other sizes, materials and types are available upon request. For special requirements, please contact us.

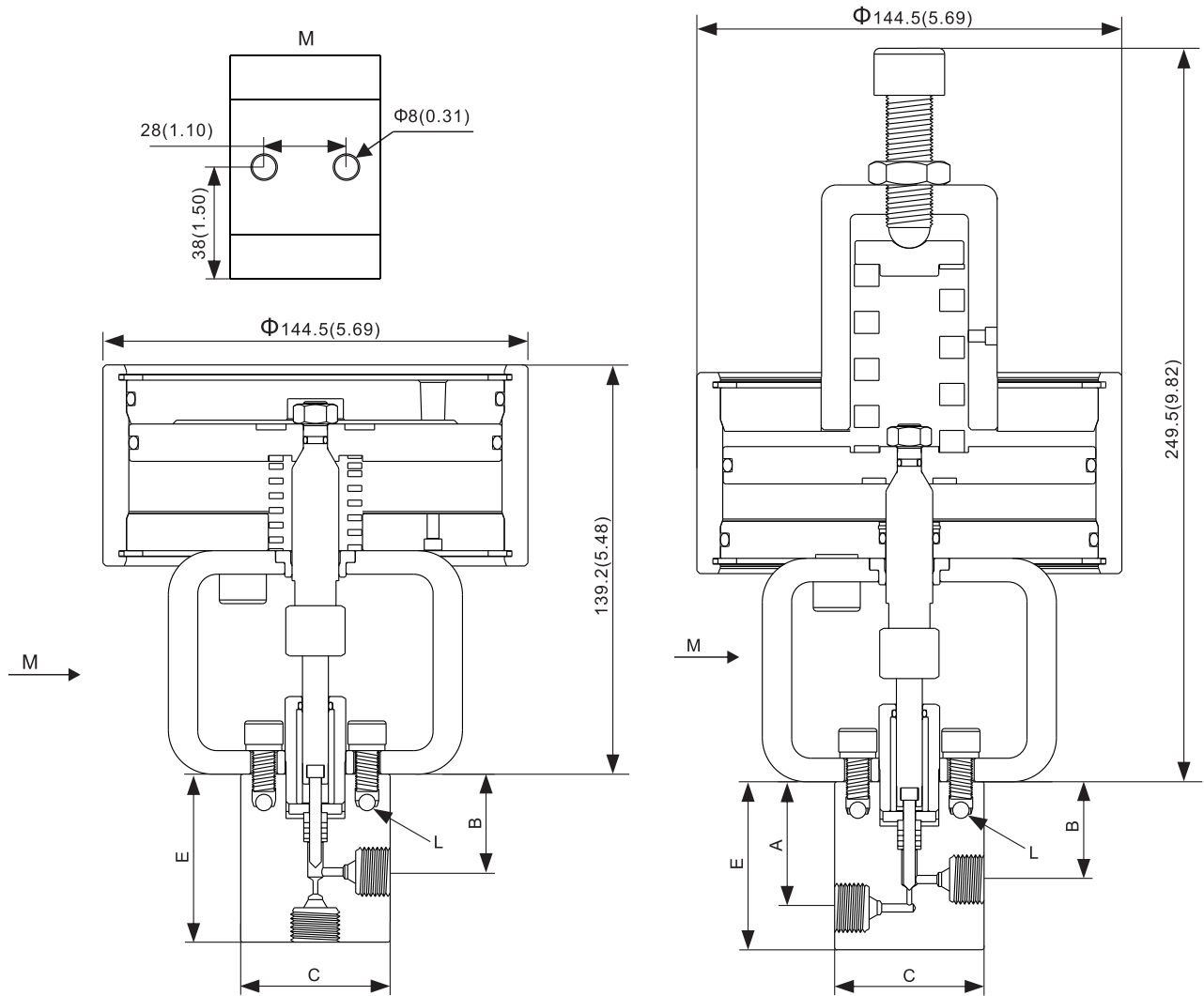
Double Drive Pneumatic Operate Valve



Description

1. Actuator dimensions are marked as above, valve body dimensions see page 8 and page 9.
2. The actuator is provided with a driven air connection port, and the ports are all 1/4 female NPT.
3. The drive air connection port of the normally open actuator is at the top of the actuator, and the drive air connection port of the normally closed actuator is at the bottom of the actuator.
4. For 20000 psi, 3/4" and 1" valves, $Y=282\text{ mm}(11.1\text{ in})$, for other specifications valves, $Y=469.9\text{ mm}(18.5\text{ in})$.

Single Drive Pneumatic Operate Valve



Description

1. Actuator dimensions are marked as above, valve body dimensions see page 8 and page 9.
2. The actuator is provided with a driven air connection port, and the ports are all 1/4 female NPT.
3. The drive air connection port of the normally open actuator is at the top of the actuator, and the drive air connection port of the normally closed actuator is at the bottom of the actuator.
4. For 20000 psi, 3/4" and 1" valves, Y=282 mm(11.1 in), for other specifications valves, Y=469.9 mm(18.5 in).